

Data sheet

**Patch cord Cat.6 Ultraflex500 VoIP
AWG 26 1.0 m black**

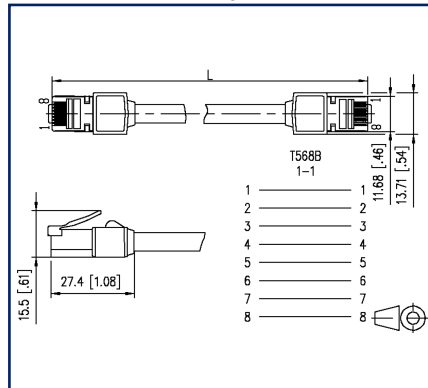
Page 1/8

P/N
13084V1000-E
EAN 4251394617213
2022/07/12
Version: E

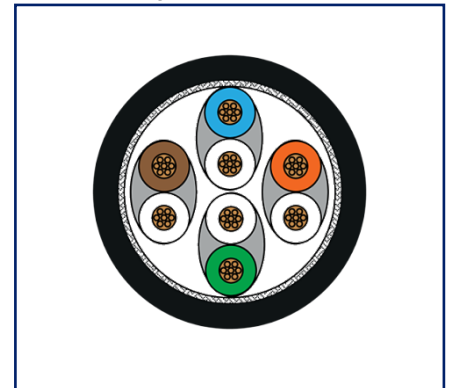
Illustrations



Dimensional drawing



Principle diagram



See enlarged drawings at the end of document

Product specification

- ideal solution in case of limited space
- especially suitable for shielded and unshielded class E_A systems
- fully shielded Cat.6 patch cord AWG 26/7
- two shielded RJ45 connectors, 1:1 assignment
- cable type: S/FTP 4x2xAWG 26/7 PIMF
- cable sheath: LSHF(LSOH), halogen free
- very short cable boot
- especially suitable for VoIP terminal devices
- bending radius of up to 10 mm possible
- considerably longer durability than standard patch cords
- up to 8500 movement cycles possible under load

P | Cabling

Data sheet

Page 2/8

Patch cord Cat.6 Ultraflex500 VoIP AWG 26 1.0 m black

P/N

13084V1000-E

EAN 4251394617213

2022/07/12

Version: E

Technical Data

General Data

Fields of application	Tertiary
Mechanical measurement according to MICE	M1
Ingress measurement according to MICE	I1
Climatic measurement according to MICE	C1
Electromagnetic measurement according to MICE	E2
Design	patch cord
Shielding	shielded
Transmission technology	Copper
Cable Type	S/FTP
Number of twisting elements	4
Twisting element	Pair
Wiring	1 - 1
Color coding fiber/ wire(s)	white/orange, orange, white/green, green, white/brown, brown, white/blue, blue
Color	black
Dimensions	
Dimension - Interface 1 (L x W x H)	27.4 mm x 13.71 mm x 15.5 mm
Dimension - Interface 1 (L x W x H)	1.079 in. x 0.54 in. x 0.61 in.
Dimension - Interface 2 (L x W x H)	27.4 mm x 13.71 mm x 15.5 mm
Dimension - Interface 2 (L x W x H)	1.079 in. x 0.54 in. x 0.61 in.
Cable length (m)	1 m
Cable length (ft)	3.28 ft

Transmission characteristics

Category (ISO)	6
Class (ISO/IEC)	E _A
Category (TIA)	6
Remote Powering	yes
PoE	IEEE 802.3af
PoE plus	IEEE 802.3at
UPoE	yes
HDBaseT	yes
Transmission rate up to 100 MBit (Fast Ethernet)	IEEE 802.3u



P | Cabling

Data sheet

Page 3/8

Patch cord Cat.6 Ultraflex500 VoIP AWG 26 1.0 m black

P/N

13084V1000-E

EAN 4251394617213

2022/07/12

Version: E

Technical Data

Transmission characteristics

Transmission rate up to 1 GBit (Fast Ethernet)	IEEE 802.3ab
Transmission rate up to 10 GBit	IEEE 802.3an

Connections/interfaces

Connector technology interface 1	RJ45 plug
Connector technology interface 2	RJ45 plug
Number of ports interface 1	1
Number of ports interface 2	1
Number of equipped ports interface 1	1
Number of ports interface 2 equipped	1
Number of positions/contacts interface 1	8P/8C
Number of positions/contacts interface 2	8P/8C
Termination data, stranded wire (min. - max.)	
Conductor cross section, stranded wire	AWG 26/7
Conductor cross section, stranded wire	0.141 mm ²
Conductor diameter, stranded wire (bare copper)	0.47 mm - 0.51 mm
Conductor diameter, stranded wire (bare copper)	0.019 in. - 0.02 in.
Core diameter (min. - max.)	
Core diameter (conductor with insulation)	0.98 mm - 1.08 mm
Core diameter (conductor with insulation)	0.039 in. - 0.043 in.
Cable sheath diameter (min. - max.)	
Cable sheath diameter	6 mm - 6.4 mm

Electrical characteristics

Current carrying capacity	max. 1 A
Rated voltage	max. 60 V DC
Contact resistance	max. 20 mOhm
Through resistance	max. 200 mOhm
Loop resistance	142 Ohm/km
Insulation resistance	min. 100 MOhm
Dielectric strength conductor-conductor (primarily)	max. 500 V DC
Dielectric strength conductor-conductor (primarily)	max. 500 V AC
Dielectric strength conductor-conductor (secondary)	max. 500 V DC



P | Cabling

Data sheet

Page 4/8

Patch cord Cat.6 Ultraflex500 VoIP AWG 26 1.0 m black

P/N

13084V1000-E

EAN 4251394617213

2022/07/12

Version: E

Technical Data

Electrical characteristics

Dielectric strength conductor-conductor, peak value (secondary)	max. 500 V AC
---	---------------

Mechanical data

Position/mounting of latch standard installation position	top
Bending radius without load	10 mm
Bending radius without load	0.394 in.
Number of alternating bending cycles (mechanical resistance) at:	max. 8500

Materials and material properties

Material - Conductor	Cu (copper)
Material - Conductor Insulation	Foam-Skin Polyethylen
Material - Cable jacket	LSHF (LSOH)
Material - Plug housing interface 1	PC (polycarbonate)
Material - Plug housing interface 2	PC (polycarbonate)
Material - Contact interface 1	CuSn (tin bronze)
Material - Contact interface 2	CuSn (tin bronze)
Material - Contact finish interface 1	Au (gold)
Material - Contact finish interface 2	Au (gold)
Material - Contact carriers interface 1	Plastics
Material - Contact carriers interface 2	Plastics
Material - Shield interface 1	CuSn (tin bronze)
Material - Shield interface 2	CuSn (tin bronze)
Material - Shield finish interface 1	Sn (tin)
Material - Shield finish interface 2	Sn (tin)
Material - Pair shield	Aluminium/Polyester
Material - Main shield	Cu (copper) braid
Flame retardancy	no
Halogen free	yes
Silicone free	no paint wetting interfering substances (LaBS) in the process chain
LaBS Note	subsequent contamination possible due to handling and possible storage in your company
RoHS	compliant

P | Cabling

Data sheet

Page 5/8

Patch cord Cat.6 Ultraflex500 VoIP AWG 26 1.0 m black

P/N

13084V1000-E

EAN 4251394617213

2022/07/12

Version: E

Technical Data

Materials and material properties

REACH	compliant
REACH - substance (SVHC)	none

Environmental conditions

Temperature (min. - max.)	
Temperature - Storage °C	-40 °C - 70 °C
Temperature - Storage °F	-40 °F - 158 °F
Temperature - Operating °C	-40 °C - 70 °C
Temperature - Operating °F	-40 °F - 158 °F

Approvals

CE	yes
----	-----

Standards/Regulations

Generic cabling systems

General requirements	ISO/IEC 11801-1 DIN EN 50173-1 ANSI/TIA-568.2-D
Office buildings	ISO/IEC 11801-2 DIN EN 50173-2 ANSI/TIA-568.2-D
Living units	ISO/IEC 11801-4 DIN EN 50173-4 ANSI/TIA-570-D
Data centers	ISO/IEC 11801-5 DIN EN 50173-5 ANSI/TIA-942-B

Connectors for electronic equipment

Free and fixed connectors	IEC 60603-7-51
---------------------------	----------------

Specification for the testing of balanced and coaxial information technology cabling

Cords as specified in ISO/IEC 11801 and related standards	following to IEC 61935-2
---	--------------------------

Classifications

ETIM 5.0	EC001262
ETIM 6.0	EC001262
ETIM 7.0	EC001262
ETIM 8.0	EC001262

P | Cabling

Data sheet

Page 6/8

**Patch cord Cat.6 Ultraflex500 VoIP
AWG 26 1.0 m black**

P/N

13084V1000-E

EAN 4251394617213

2022/07/12

Version: E

Technical Data

Packing details

Type of packaging	1 pc(s) / plastic bag
-------------------	-----------------------



P | Cabling

Data sheet

**Patch cord Cat.6 Ultraflex500 VoIP
AWG 26 1.0 m black**

Page 7/8

P/N

13084V1000-E

EAN 4251394617213

2022/07/12

Version: E

Accessories from

P/N	Designation
130927-1200-E	SmartConnect Patchpanel 12 ports MC module
130927-1200KE	SmartConnect Patchpanel 12 port Keystone, unequipped
130927-1600-E	SmartConnect Patchpanel 16 ports MC module
130927-2400-E	SmartConnect Patchpanel 24 ports MC module

P | Cabling

Data sheet

Patch cord Cat.6 Ultraflex500 VoIP
AWG 26 1.0 m black

Page 8/8

P/N

13084V1000-E

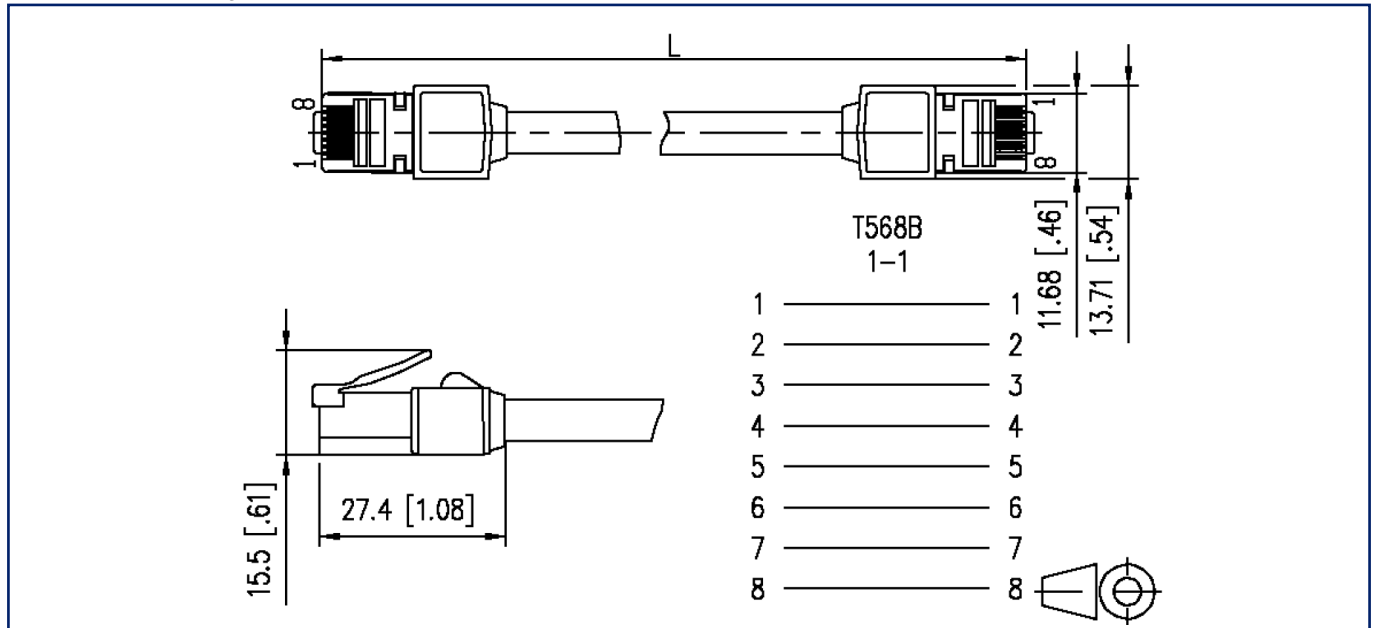
EAN 4251394617213

2022/07/12

Version: E

Illustrations

Dimensional drawing



Principle diagram

