

Data sheet Industry IP67 V1 metal bulkhead

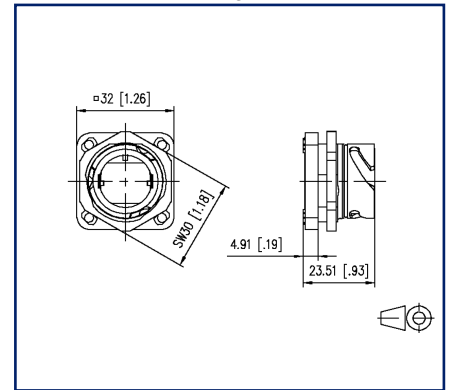
Page 1/6

P/N
1401013300ME
EAN 4250184114239
2024/09/19
Version: T

Illustrations



Dimensional drawing



See enlarged drawings at the end of document

Product specification

- flange with bayonet lock acc. to ISO/IEC 24702 and IEC 61076-3-106 var. 1
- easy to mount due to round wall recesses made with inserts for commercially available punch pliers
- mounting type, central screwing
- alternative mounting with 4 screws (M3), not included in scope of delivery
- mounting on front and back side
- industry-compatible metal housing with improved durability
- flammability class as per UL 94V-0
- improved resistance to chemical substances
- grounding possible on RJ45 insert using 2.8 mm contact pins
- one version for all flanges
- matching inserts: E-DAT Industry RJ45 field jack insert (T568A, T568B or Profinet), E-DAT Industry RJ45 coupler insert, E-DAT Industry USB coupler insert, OpDAT Industry SC-RJ/2SC coupler insert or OpDAT Industry LC-D coupler insert

Technical Data

General Data

Fields of application	harsh environment
Mechanical measurement according to MICE	M1
Ingress measurement according to MICE	I1
Climatic measurement according to MICE	C1
Electromagnetic measurement according to MICE	E3
Design	flange housings
Mounting style	front or back side
Color	metallike
Dimensions	
Dimension (L x W x H)	23.51 mm x 32 mm x 32 mm
Dimension (L x W x H)	0.926 in. x 1.26 in. x 1.26 in.

Connections/interfaces

Number of ports interface 2	1
Number of ports interface 2 equipped	0
Protective housing interface 1	V1
Protective housing interface 2	V1
Module plug-in direction	straight

Mechanical data

Locking method (protective housing)	Bayonet
Mounting method	with screws or central nut

Materials and material properties

Material - Protective housing	ZP5
Material - Protective housing finish	Ni (nickel)
Material - Flat seal	EPDM (ethylene-propylene-diene)
Material - Thin nut	CuZnPb (brass)
RoHS	compliant



P | Cabling

Data sheet Industry IP67 V1 metal bulkhead

Page 3/6

P/N
1401013300ME
EAN 4250184114239
2024/09/19
Version: T

Technical Data

Environmental conditions

Temperature (min. - max.)	
Temperature - Storage °C	-40 °C - 105 °C
Temperature - Storage °F	-40 °F - 221 °F
Temperature - Operating °C	-40 °C - 105 °C
Temperature - Operating °F	-40 °F - 221 °F
Particulate ingress	IP6X
Liquid ingress/immersion	IPX7
Rapid change of temperature	-40°C / -40°F - +70°C / 158°F / 25 cycles t=30 min
Damp heat	+25°C / +77°F / +65°C / +149°F / 93% RH // -10°C / -14°F 21 cycles
Salt spray fog test (NSS Test)	35 °C / 95 °F / 4 days, 5% NaCL
Increased robustness	yes
Increased chemical resistance	yes
General information	This product is suitable for use in industrial environments inside buildings with IPxy protection class according to DIN EN 60529 specified in this data sheet. Not specified for outdoor applications.

Approvals

UL listed (file no.)



DUXR.E178484

Standards/Regulations

Generic cabling systems	
Industrial area	ISO/IEC 24702
UL standard for Communications-Circuit Accessories	UL 1863
Degrees of Protection Provided by Enclosures	IEC 60529
Connectors for electronic equipment	
Rectangular connectors	DIN EN 61076-3-106

Classifications

ETIM 7.0	EC000437
ETIM 8.0	EC000437
ETIM 9.0	EC000437



P | Cabling

Data sheet

Page 4/6

Industry IP67 V1 metal bulkhead

P/N

1401013300ME

EAN 4250184114239

2024/09/19

Version: T

Technical Data

Packing details

Type of packaging	10 pc(s) / box
Packaging unit - Weight (gram)	506 g
Packaging unit - Weight (pound)	1.12 lb
Packaging dimension	258 mm x 164 mm x 51 mm
Packaging dimension	10.157 in. x 6.457 in. x 2.008 in.

Application note

This product is a standard product of METZ CONNECT. METZ CONNECT is not aware of the specific intended use of the goods by the Customer or any customers of the Customer. The Customer guarantees that it has fully and sufficiently tested the use of the goods and any product modifications, product changes or product enhancements with regard to the specific intended use in accordance with the state of the art or in any other way. At METZ CONNECT's request, the Customer shall submit and make available meaningful evidence (e.g. test and laboratory protocols, certifications, etc.).



Accessories

P/N	Designation
1401018102KI	Industry IP67 V1 bulkhead protective cap
1401100810MI	E-DAT Industry RJ45 field jack insert Cat.6 Class E _A , T568A
1401200810MI	E-DAT Industry RJ45 coupler insert Class E
1401800810MI	E-DAT Industry RJ45 field jack insert Cat.6 Class E _A , T568B
1401900810MI	E-DAT Industry RJ45 field jack insert Cat.6 Class E _A , PROFINET
1401U00812KI	E-DAT Industry USB A 2.0 adapter insert
1401U10812KI	E-DAT Industry USB A 3.0 adapter insert
1402100820MI	OpDAT Industry SC-RJ/2SC MM adapter insert
1402300820MI	OpDAT Industry LC-D MM adapter insert
1402K00820MI	OpDAT Industry SC-RJ/2SC SM adapter insert
1402L00820MI	OpDAT Industry LC-D SM adapter insert



P | Cabling

Data sheet

Industry IP67 V1 metal bulkhead

Page 6/6

P/N

1401013300ME

EAN 4250184114239

2024/09/19

Version: T

Illustrations

Dimensional drawing

