

## Data sheet

### E-DAT Industry RJ45 field plug black Cat.6 Class E<sub>A</sub>

Page 1/8

P/N

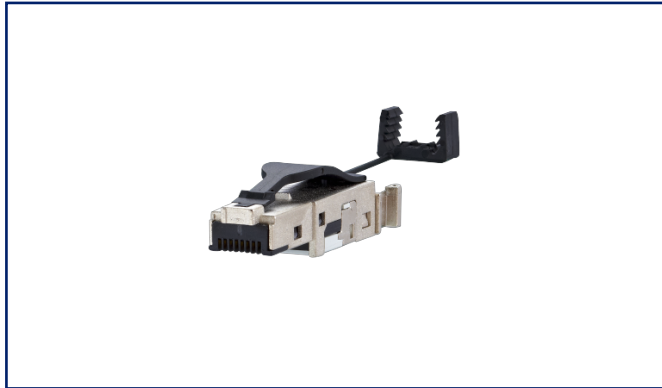
1401405012-I

EAN 4250184113881

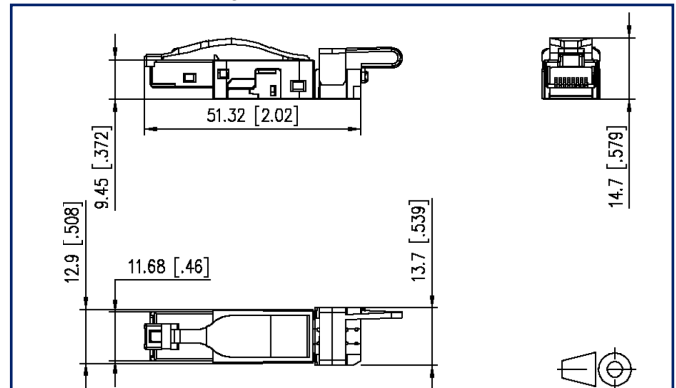
2023/11/21

Version: AS

## Illustrations



Dimensional drawing



See enlarged drawings at the end of document

## Product specification

- multi-port Cat.6 class E<sub>A</sub> plug to be assembled in the field
- compliance with class E<sub>A</sub> to ISO/IEC 11801, DIN EN 50173-1
- 8-wire RJ45 plug for AWG 22 to be assembled in the field
- connection of AWG 26/7 - 22/7, AWG 26/1 - 22/1 possible
- solid wire Cu conductor diameter 0.409 - 0.64 mm
- stranded copper wire diameter from 0.48 to 0.76 mm
- conductor diameter up to 1.6 mm
- cable jacket from 5.5 to 8.5 mm
- easy assembly - connection without special tools
- during mounting, the cable is mechanically fastened to the stuffer cap
- easy to actuate strain relief
- strain relief can be snapped on after assembly as color coding
- zinc die-cast housing for industrial use consists of only 2 parts
- protected locking hook
- can be used as test plug on IP67 protected jacks of variants 1, 4, 5, 6 and 14
- variants: T568A, T568B, Industry



# P | Cabling

Data sheet

Page 2/8

## E-DAT Industry RJ45 field plug black Cat.6 Class E<sub>A</sub>

P/N

1401405012-I

EAN 4250184113881

2023/11/21

Version: AS

### Technical Data

#### General Data

Fields of application	Industrial Ethernet office areas
Mechanical measurement according to MICE	M1
Ingress measurement according to MICE	I1
Climatic measurement according to MICE	C1
Electromagnetic measurement according to MICE	E2
Design	plug
Shielding	shielded
Transmission technology	Copper
Color	black
Dimensions	
Dimension (L x W x H)	51.32 mm x 12.9 mm x 14.7 mm
Dimension (L x W x H)	2.02 in. x 0.508 in. x 0.579 in.
Field assembly ability	yes
Multi-port capability	yes
Marking option	strain relief

#### Transmission characteristics

Category (ISO)	6
Class (ISO/IEC)	E <sub>A</sub>
Category (TIA)	6
Remote Powering	yes
PoE	IEEE 802.3af
PoE plus	IEEE 802.3at
UPoE	yes
4PPoE	IEEE 802.3bt
HDBaseT	yes
Transmission rate up to 10 GBit	IEEE 802.3an



# P | Cabling

## Data sheet

Page 3/8

### E-DAT Industry RJ45 field plug black Cat.6 Class E<sub>A</sub>

P/N

1401405012-I

EAN 4250184113881

2023/11/21

Version: AS

## Technical Data

Connections/interfaces	
Connector technology interface 1	IDC-connection
Connector technology interface 2	RJ45 plug
Number of ports interface 2	1
Number of ports interface 2 equipped	1
Number of positions/contacts interface 1	8
Number of positions/contacts interface 2	8P/8C
Termination data, solid wire (min. - max.)	
Conductor cross section, solid wire	AWG 26/1 - AWG 22/1
Conductor cross section, solid wire	0.128 mm <sup>2</sup> - 0.324 mm <sup>2</sup>
Conductor diameter, solid wire (bare copper)	0.409 mm - 0.643 mm
Conductor diameter, solid wire (bare copper)	0.016 in. - 0.025 in.
Termination data, stranded wire (min. - max.)	
Conductor cross section, stranded wire	AWG 26/7 - AWG 22/7
Conductor cross section, stranded wire	0.141 mm <sup>2</sup> - 0.355 mm <sup>2</sup>
Conductor diameter, stranded wire (bare copper)	0.483 mm - 0.762 mm
Conductor diameter, stranded wire (bare copper)	0.019 in. - 0.03 in.
Aderdurchmesser (min.-max.)	
Core diameter (conductor with insulation)	1.6 mm
Core diameter (conductor with insulation)	0.063 in.
Cable sheath diameter (min. - max.)	
Cable sheath diameter	5.5 mm - 8.50
Cable sheath diameter	0.217 in. - 0.335
Cable access/outlet	180°
Reconnectibility	yes, if cross section is greater or the same
Shield connection	flexible contact spring
Electrical characteristics	
Current carrying capacity	max. 1 A
Contact resistance	max. 20 mOhm
Insulation resistance	min. 500 MOhm
Dielectric strength conductor-conductor (secondary)	min. 1000 V DC
Dielectric strength conductor-shield	min. 1500 V DC

# P | Cabling

Data sheet

Page 4/8

## E-DAT Industry RJ45 field plug black Cat.6 Class E<sub>A</sub>

P/N

1401405012-I

EAN 4250184113881

2023/11/21

Version: AS

### Technical Data

#### Mechanical data

Mounting method	snap-in function
Insertion and withdrawal force	max. 30 N
Life - Number of mating cycles	min. 750
Position/mounting of latch standard installation position	top
strain relief	yes

#### Materials and material properties

Material - Housing	GD-Zn (zinc die-cast)
Material - Housing finish	copper-nickel (Ni-Cu)
Material - Insulation displacement contacts	CuSn (tin bronze)
Material - Finish of insulation displacement contacts	Sn (tin)
Material - Contact	CuSn (tin bronze)
Material - Contact finish	Ni + Au (nickel-gold)
Material - Shield	Cu-Ni-Zn (nickel silver)
Material - Stuffer cap	PA UL94-V0
Material - Strain relief	PA UL94-V0
Material - Latch	PA UL94 V0
Halogen free	yes
Material - Finish	Ni (nickel)
RoHS	compliant

#### Environmental conditions

Temperature (min. - max.)	
Temperature - Storage °C	-40 °C - 70 °C
Temperature - Storage °F	-40 °F - 158 °F
Temperature - Operating °C	-40 °C - 70 °C
Temperature - Operating °F	-40 °F - 158 °F
Particulate ingress	IP2X
Liquid ingress/immersion	IPX0
Rapid change of temperature	-40°C to +70°C / 25cycles t = 30 min.
Damp heat	+25°C / +77°F +65°C / +149°F / 93% RH // -10°C / -14°F / 21 cycles
Flowing mixed gas	+25 °C / +77°F / 73% RH / 4 days, H2S / SO2

# P | Cabling

Data sheet

Page 5/8

## E-DAT Industry RJ45 field plug black Cat.6 Class E<sub>A</sub>

P/N

1401405012-I

EAN 4250184113881

2023/11/21

Version: AS

### Technical Data

#### Environmental conditions

Vibration	50 m/s <sup>2</sup>
Shock	250 m/s <sup>2</sup>

#### Approvals

UL listed (file no.)		DUXR.E178484
----------------------	--	--------------

#### Standards/Regulations

##### Generic cabling systems

General requirements	ANSI/TIA-568-B.2-10
Office buildings	ISO/IEC 11801 Ed.2.2: 2011-06   DIN EN 50173-2 ANSI/TIA-568-C
Industrial area	ISO/IEC 24702   DIN EN 50173-3 ANSI/TIA-1005
Living units	ISO/IEC 15018   DIN EN 50173-4 ANSI/TIA-570-B

##### Application-specific communications cabling systems

Profinet	yes
UL standard for Communications-Circuit Accessories	UL 1863

##### Connectors for electronic equipment

Free and fixed connectors	IEC 60603-7-51
---------------------------	----------------

##### Interference proof

Immunity for industrial environments	DIN EN 61000-6-2:2006-03
--------------------------------------	--------------------------

##### Emission proof

Electromagnetic emission for residential, commercial and light-industrial environments	DIN EN 61000-6-3:2011-09
Climate tests	IEC 60512-11

#### Classifications

ETIM 5.0	EC001121
ETIM 6.0	EC001121
ETIM 7.0	EC001121
ETIM 8.0	EC001121
ETIM 9.0	EC001121

# P | Cabling

Data sheet

Page 6/8

## E-DAT Industry RJ45 field plug black Cat.6 Class E<sub>A</sub>

P/N

1401405012-I

EAN 4250184113881

2023/11/21

Version: AS

### Technical Data

#### Packing details

Type of packaging	10 pc(s) / box
Packaging unit - Weight (gram)	250 g
Packaging unit - Weight (pound)	0.55 lb
Packaging dimension	258 mm x 164 mm x 51 mm
Packaging dimension	10.157 in. x 6.457 in. x 2.008 in.



# P | Cabling

Data sheet

Page 7/8

## E-DAT Industry RJ45 field plug black Cat.6 Class E<sub>A</sub>

P/N

1401405012-I

EAN 4250184113881

2023/11/21

Version: AS

### Accessories

P/N	Designation
1401009101-I	Industry color coding clip field plug orange
1401009103-I	Industry color coding clip field plug light grey
1401009104-I	Industry color coding clip field plug white
1401009105-I	Industry color coding clip field plug yellow
1401009106-I	Industry color coding clip field plug blue
1401009107-I	Industry color coding clip field plug green
1401009108-I	Industry color coding clip field plug red

© 2023 METZ CONNECT - Technische Änderungen vorbehalten! Subject to modifications! Sous réserve de modifications techniques!

# P | Cabling

Data sheet

Page 8/8

**E-DAT Industry RJ45 field plug black Cat.6 Class E<sub>A</sub>**

P/N

1401405012-I

EAN 4250184113881

2023/11/21

Version: AS

## Illustrations

Dimensional drawing

