

Data sheet

Connection line M12 plug straight - RJ45 plug straight 8-pole, X-coded 40.0 m

Page 1/7

P/N

142M2X15400

EAN 4250184176329

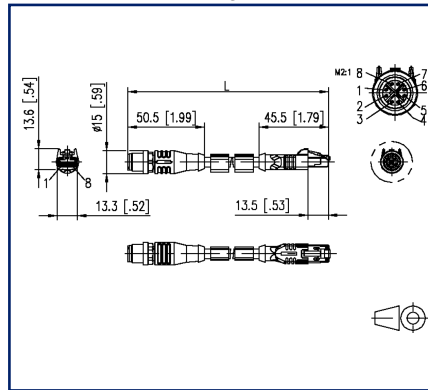
2021/05/06

Version: X

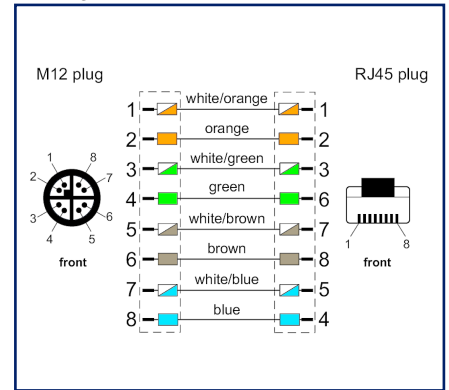
Illustrations



Dimensional drawing



Wiring



See enlarged drawings at the end of document

Product specification

- shielded M12-plug to RJ45-plug connection line
- Cat.6_A, 8-pole, X-coded
- side 1: M12-plug, straight
- side 2: RJ45-plug, straight
- connectors over molded
- stranded wires 4x2xAWG26/7 PiMF
- pin assignment per T568B
- overall shield tinned copper braid
- green cable, PUR
- standard variants: 1.0 m, 2.0 m, 5.0 m, 10.0 m
- other cable lengths on request



P | Cabling

Data sheet

Page 2/7

Connection line M12 plug straight - RJ45 plug straight 8-pole, X-coded 40.0 m

P/N

142M2X15400

EAN 4250184176329

2021/05/06

Version: X

Technical Data

General Data

Fields of application	Industrial Ethernet, Harsh environment
Design	Ethernet-Connection line
Shielding	shielded
Transmission technology	Copper
Cable Type	S/FTP
Number of twisting elements	4
Twisting element	Pair
Wiring	T568B
Color coding fiber/ wire(s)	white/orange, orange, white/green, green, white/brown, brown, white/blue, blue
Color	green
Dimensions	
Dimension - Interface 1 (L x W x H)	50.5 mm x 15 mm x 15 mm
Dimension - Interface 1 (L x W x H)	1.988 in. x 0.591 in. x 0.591 in.
Dimension - Interface 2 (L x W x H)	45.5 mm x 13.3 mm x 13.6 mm
Dimension - Interface 2 (L x W x H)	1.791 in. x 0.524 in. x 0.535 in.
Cable length (m)	40 m
Cable length (ft)	131.23 ft
Labeling option	identification label carrier

Transmission characteristics

Category (ISO)	6 _A
----------------	----------------

Connections/interfaces

Connector technology interface 1	M12-plug
Connector technology interface 2	RJ45 plug
Coding interface 1	X-coded
Coding interface 2	X-coded
Number of positions/contacts interface 1	8
Number of positions/contacts interface 2	8P/8C

P | Cabling

Data sheet

Page 3/7

Connection line M12 plug straight - RJ45 plug straight 8-pole, X-coded 40.0 m

P/N

142M2X15400

EAN 4250184176329

2021/05/06

Version: X

Technical Data

Connections/interfaces

Termination data, stranded wire (min. - max.)

Conductor cross section, stranded wire AWG 26/7

Conductor diameter, stranded wire (bare copper) 0.48 mm

Conductor diameter, stranded wire (bare copper) 0.019 in.

Cable sheath diameter (min. - max.)

Cable sheath diameter 6.4 mm

Cable sheath diameter 0.236 in.

Electrical characteristics

Current carrying capacity 0,5 A bei 40 °C

Insulation resistance min. 100 MOhm

Mechanical data

Bending radius without load min. 64 mm

Maximum operating bending radius 64 mm

Maximum operating bending radius 2.52 in.

Maximum installation load 32 mm

Maximum installation load 1.26 in.

Shielding braid coverage 70 %

Materials and material properties

Material - Conductor Cu (copper)

Material - Conductor Insulation Polyethylene

Material - Cable jacket PUR

Material - Body interface 1 Plastics

Material - Body interface 2 Plastics

Material - Contact interface 1 CuZn (brass)

Material - Contact interface 2 CuZn (brass)

Material - Contact finish interface 1 Au (gold)

Material - Contact finish interface 2 Au (gold)

Material - Contact carriers interface 1 Plastics

Material - Contact carriers interface 2 Plastics

Material - Union nut interface 1 CuZn (brass)

Material - Union nut finish interface 1 Ni (nickel)

Material - Pair shield plastic film

Material - Pair shield finish Al (Aluminium)

P | Cabling

Data sheet

Page 4/7

Connection line M12 plug straight - RJ45 plug straight 8-pole, X-coded 40.0 m

P/N

142M2X15400

EAN 4250184176329

2021/05/06

Version: X

Technical Data

Materials and material properties

Material - Main shield	Cu (copper) braid
Material - Main shield finish	Sn (tin)
Flame retardancy	yes
Halogen free	yes
Oil resistance	yes
UV-resistance	yes
RoHS	compliant

Environmental conditions

Temperature (min. - max.)	
Temperature - Operating °C	-30 °C - 70 °C
Temperature - Operating °F	-22 °F - 158 °F
Particulate ingress interface 1	IP6X when plugged in
Liquid ingress/immersion interface 1	IPX5, IPX7 when plugged in
Particulate ingress interface 2	IP2X when plugged in
Liquid ingress/immersion interface 2	IPX0 when plugged in
Pollution degree interface 1	2
Pollution degree interface 2	1

Approvals

CE	compliant
UL listed (file no.)	Approval pending

The product meets the following standards

Generic cabling systems	
General requirements	ISO/IEC 11801-1 DIN EN 50173-1
PROFINET	yes
Connectors for electronic equipment	
Free and fixed connectors	IEC 60603-7-51
circular connector	DIN EN 61076-2-109
Multi-element metallic cables used in analogue and digital communication an	DIN EN 50288-4-2
Test for vertical flame propagation for a single insulated wire or cable	IEC 60332-1-2
Measurement of smoke density of cables burning	IEC 61034
Determination of the halogen acid gas content	IEC 60754-1
Isolier und Mantelwerkstoffe	DIN EN 60811-2-1
Kupfer und Kupferlegierungen - Gezogener Runddraht	DIN EN 13602 Cu-ETP-A... DIN EN 13602 Cu-ETP-A...-B

P | Cabling

Data sheet

Page 5/7

Connection line M12 plug straight - RJ45 plug straight 8-pole, X-coded 40.0 m

P/N

142M2X15400

EAN 4250184176329

2021/05/06

Version: X

Technical Data

Classifications

ETIM 5.0	EC002599
ETIM 6.0	EC002599
ETIM 7.0	EC002599

Packing details

Type of packaging	1 pc(s) / plastic bag
Packaging unit - Weight (gram)	530 g
Packaging unit - Weight (pound)	1.17 lb



P | Cabling

Data sheet

Page 6/7

Connection line M12 plug straight - RJ45 plug straight 8-pole, X-coded 40.0 m

P/N

142M2X15400

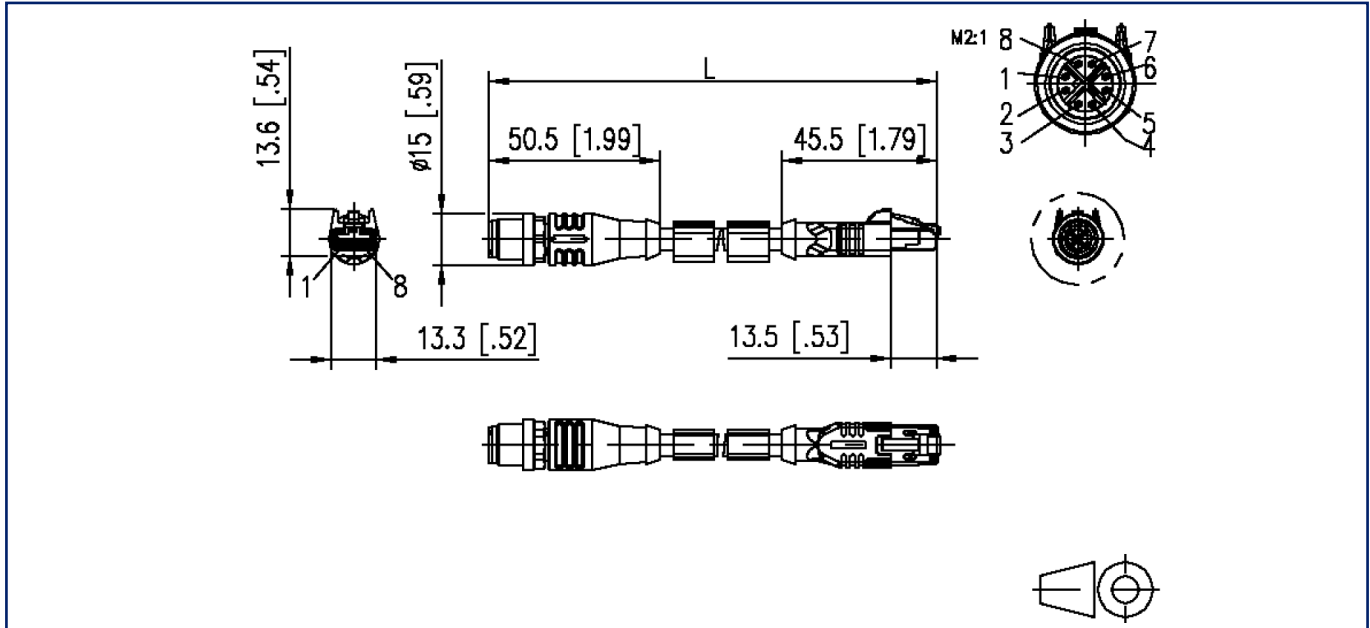
EAN 4250184176329

2021/05/06

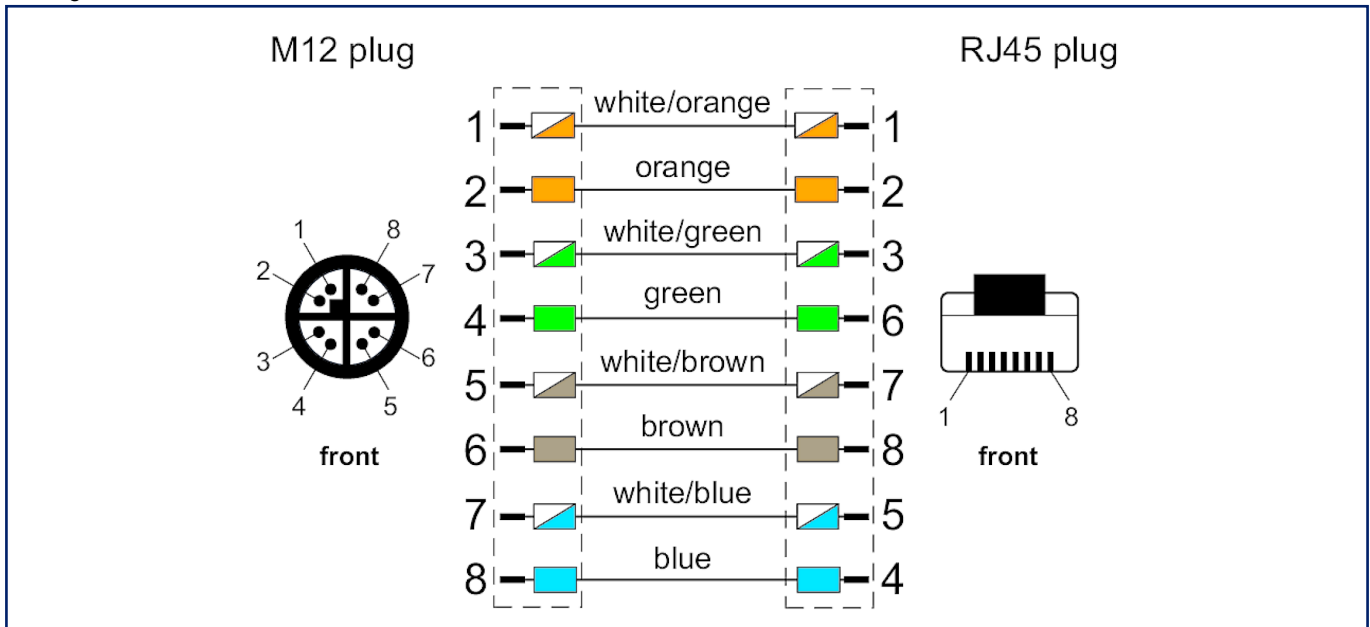
Version: X

Illustrations

Dimensional drawing



Wiring



P | Cabling

Data sheet

Page 7/7

Connection line M12 plug straight - RJ45 plug straight
8-pole, X-coded 40.0 m

P/N

142M2X15400

EAN 4250184176329

2021/05/06

Version: X

Illustrations

Principle diagram

