

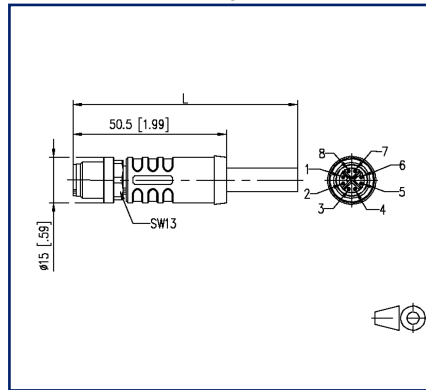
Data sheet

**M12 Industrial Ethernet cable, X-coded, 2.0 m,
M12 plug straight - free line end, drag chain, PUR**

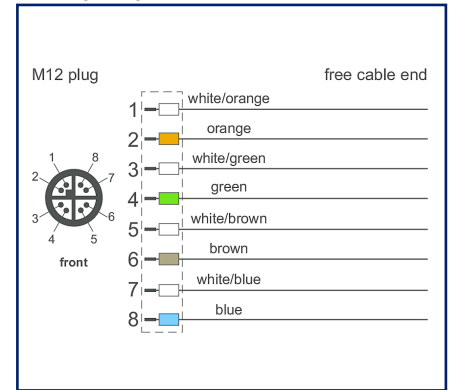
Illustrations



Dimensional drawing



Wiring diagram



See enlarged drawings at the end of document

Product specification

PROFINET 4x 2x AWG26/19 Type C highly flexible high-speed data cable of transmission category Cat 6. The cable is halogen-free, flame-retardant, oil-resistant and resistant to abrasion due to the PUR outer jacket. It is ideally suited for use in industrial environments. High-quality shielding ensures high transmission reliability of the data in electromagnetically stressed areas. Suitable for flexible applications, especially in drag chains or on continuously moving machine parts in dry and humid rooms. Special properties: flame-retardant, recyclable, LABS-free, RoHS-compliant, ozone-resistant, UV-resistant, suitable for drag chains, halogen-free, oil-resistant, high flexibility.

- Standard variants: 1.0 m, 2.0 m, 5.0 m, 10.0 m.
- Other cable lengths on request.

P | Cabling

Data sheet

Page 2/7

M12 Industrial Ethernet cable, X-coded, 2.0 m, M12 plug straight - free line end, drag chain, PUR

P/N

142M6X10020

EAN 4250184199199

2024/09/03

Version: U

Technical Data

General Data

Fields of application	Industrial Ethernet harsh environment
Design	Ethernet-Connection cable
Shielding	shielded
Transmission technology	Copper
Cable Type	SF/UTP
Number of twisting elements	4
Twisting element	Pair
Wiring	1 - 1
Color coding fiber/ wire(s)	white, orange, white, green, white, brown, white, blue
Color	green
Dimensions	
Dimension - Interface 1 (L x W x H)	50.5 mm x 15 mm x 15 mm
Dimension - Interface 1 (L x W x H)	1.988 in. x 0.591 in. x 0.591 in.
Cable length (m)	2 m
Cable length (ft)	6.56 ft

Transmission characteristics

Category (ISO)	6 _A
----------------	----------------

Connections/interfaces

Connector technology interface 1	M12-plug
Connector technology interface 2	free line end
Coding interface 1	X-coded
Number of positions/contacts interface 1	8
Termination data, stranded wire (min. - max.)	
Conductor cross section, stranded wire	AWG 26/19
Conductor diameter, stranded wire (bare copper)	0.55 mm
Conductor diameter, stranded wire (bare copper)	0.022 in.



P | Cabling

Data sheet

Page 3/7

M12 Industrial Ethernet cable, X-coded, 2.0 m, M12 plug straight - free line end, drag chain, PUR

P/N

142M6X10020

EAN 4250184199199

2024/09/03

Version: U

Technical Data

Connections/interfaces

Core diameter (min. - max.)

Core diameter (conductor with insulation) 0.98 mm

Core diameter (conductor with insulation) 0.039 in.

Cable sheath diameter (min. - max.)

Cable sheath diameter 7.80

Cable sheath diameter 0.307

Electrical characteristics

Current carrying capacity 0.5 A at 40 °C

Rated voltage 60 V DC

Insulation resistance min. 100 MOhm

Transfer impedance 10 MHz max. 30 mOhm/m

Characteristic impedance 1-100 MHz 100

Capacitance at 800 Hz 52 nF/km

Delay skew 30 ns/100 m

Mechanical data

Tensile force 100 N

Life - Number of mating cycles min. 100

Bending radius without load 31.2 mm

Bending radius without load 1.228 in.

Bending radius with load 58.5 mm

Bending radius with load 2.303 in.

Maximum operating bending radius 58.5 mm

Maximum operating bending radius 2.303 in.

Number of alternating bending cycles (mechanical resistance) at: 4 million bending cycles

Alternating bending radius 58.5 mm

velocity 3 m/s

acceleration 3 m/s²

Shielding braid coverage 85 %

P | Cabling

Data sheet

Page 4/7

M12 Industrial Ethernet cable, X-coded, 2.0 m, M12 plug straight - free line end, drag chain, PUR

P/N

142M6X10020

EAN 4250184199199

2024/09/03

Version: U

Technical Data

Materials and material properties

Material - Conductor	Cu (copper)
Material - Conductor Insulation	polypropylene
Material - Cable jacket	PUR
Material - Inner cable jacket	FRNC, with an aluminized film
Material - Body interface 1	Plastics
Material - Contact interface 1	CuZnPb (brass)
Material - Contact finish interface 1	Au (gold)
Material - Contact carriers interface 1	Plastics
Material - Main shield	Cu (copper) braid
Material - Main shield finish	Sn
Flame retardancy	according to IEC 60332-1-2
Halogen free	yes
Oil resistance	yes
UV-resistance	yes
drag chain suitable	yes
RoHS	compliant

Environmental conditions

Temperature (min. - max.)	
Temperature - Operating °C	-30 °C - 90 °C
Temperature - Operating °F	-22 °F - 194 °F
Particulate ingress interface 1	IP6X when plugged in
Liquid ingress/immersion interface 1	IPX5, IPX7 when plugged in
Pollution degree interface 1	2

Approvals

UL listed (file no.)



DUXR.E178484

P | Cabling

Data sheet

Page 5/7

**M12 Industrial Ethernet cable, X-coded, 2.0 m,
M12 plug straight - free line end, drag chain, PUR**

P/N

142M6X10020

EAN 4250184199199

2024/09/03

Version: U

Technical Data

Standards/Regulations

Generic cabling systems

General requirements	ISO/IEC 11801 ANSI/TIA-568
----------------------	------------------------------

Connectors for electronic equipment

circular connector	DIN EN 61076-2-109
--------------------	--------------------

Multi-element metallic cables used in analogue and digital communication and control

	DIN EN 50288-5-2
--	------------------

Test for vertical flame propagation for a single insulated wire or cable

	IEC 60332-1-2
--	---------------

Determination of the halogen acid gas content

	IEC 60754-1
--	-------------

Classifications

ETIM 7.0	EC002599
----------	----------

ETIM 8.0	EC002599
----------	----------

ETIM 9.0	EC002599
----------	----------

Packing details

Type of packaging	1 pc(s) / plastic bag
-------------------	-----------------------

Application note

This product is a standard product of METZ CONNECT. METZ CONNECT is not aware of the specific intended use of the goods by the Customer or any customers of the Customer. The Customer guarantees that it has fully and sufficiently tested the use of the goods and any product modifications, product changes or product enhancements with regard to the specific intended use in accordance with the state of the art or in any other way. At METZ CONNECT's request, the Customer shall submit and make available meaningful evidence (e.g. test and laboratory protocols, certifications, etc.).

P | Cabling

Data sheet

Page 6/7

**M12 Industrial Ethernet cable, X-coded, 2.0 m,
M12 plug straight - free line end, drag chain, PUR**

P/N
142M6X10020

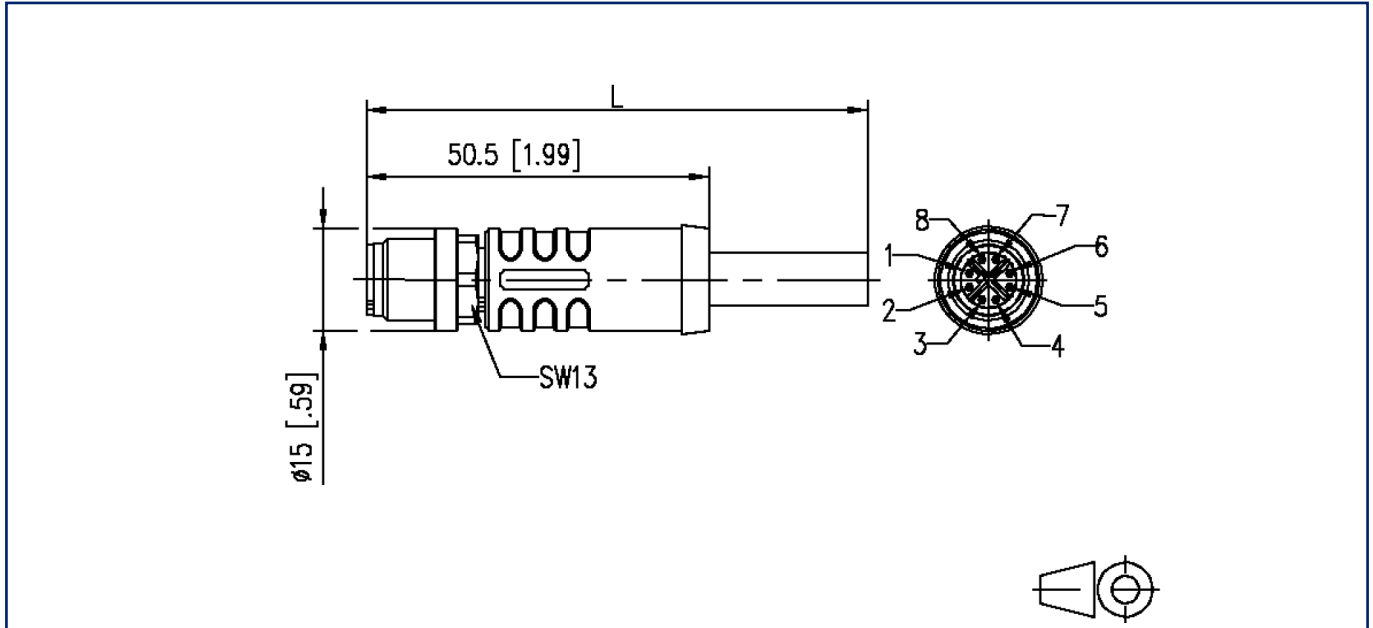
EAN 4250184199199

2024/09/03

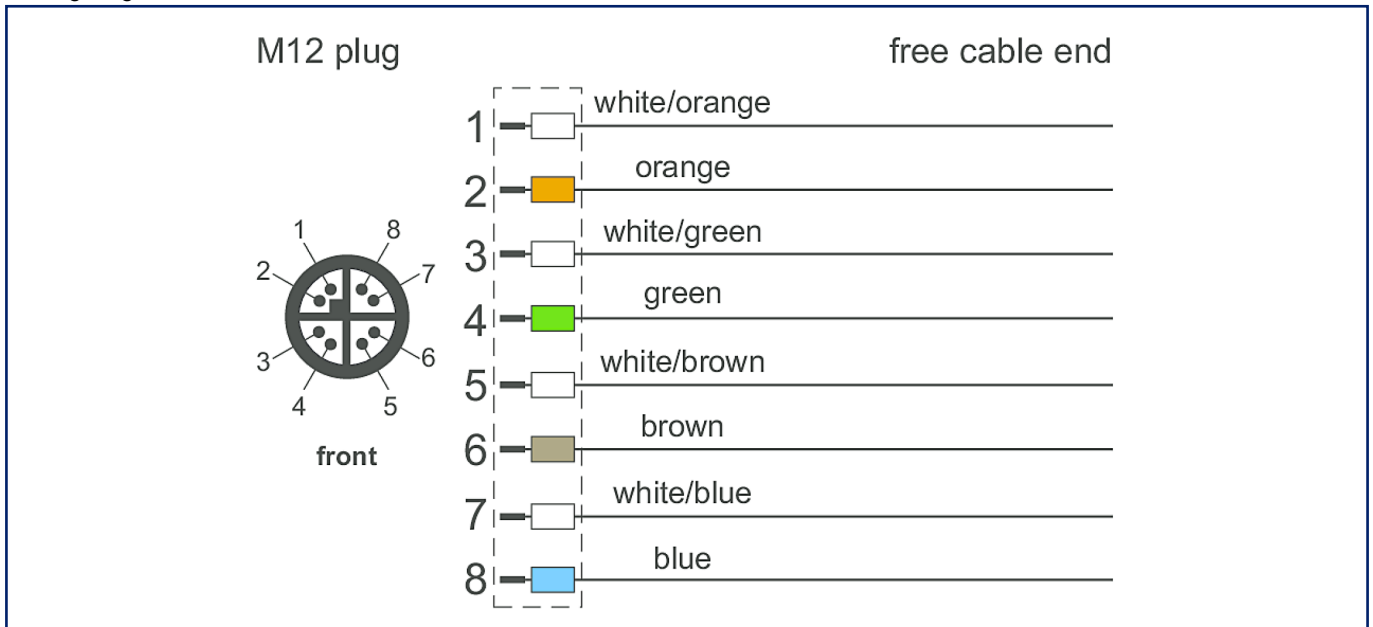
Version: U

Illustrations

Dimensional drawing



Wiring diagram



P | Cabling

Data sheet

Page 7/7

**M12 Industrial Ethernet cable, X-coded, 2.0 m,
M12 plug straight - free line end, drag chain, PUR**

P/N

142M6X10020

EAN 4250184199199

2024/09/03

Version: U

Illustrations

Principle diagram

