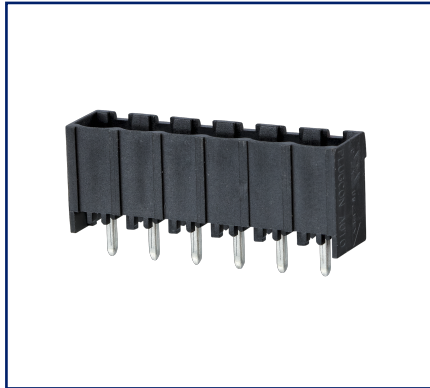


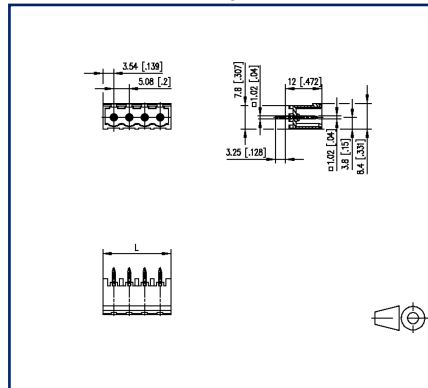
# Data sheet

## PR066xxVBBN Type 179

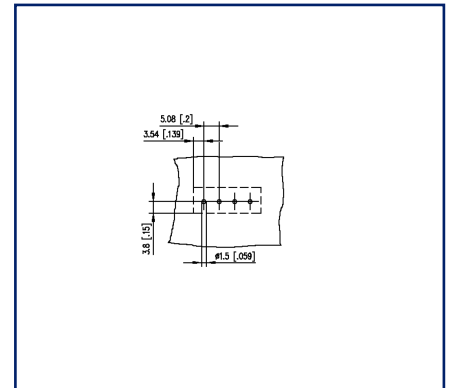
### Illustrations



Dimensional drawing



Drill pattern



See enlarged drawings at the end of document

### Product specification

- pin header, THR solderable
- centerline 5.08 mm, direction of connection vertical 0°
- closed ends
- color black
- Tape & Reel packaging possible
- codeable





## Technical Data

### General Data

Solder pin length	3.25 mm		
min. number of poles	2		
max. number of poles	12		
Insulating material class	CTI 600		
clearance/creepage dist.	4.08 mm		
Protection category	IP00		
Rated current	13.5 A		
Overvoltage category	III	III	II
Pollution degree	3	2	2
Rated voltage	320 V	800 V	800 V
Rated test voltage	4 kV	4 kV	4 kV

### Approvals

 V / A	300 / 15
approval UL - File No.	E121004
 1.5 mm <sup>2</sup>	320 V / 4 kV / 13.5 A / 1.0 x 1.0 mm

### Material

insulating material	PA66/6T
flammability class	V0
contact pin material	CuMg
contact pin surface	Cu + Sn
Glow-Wire Flammability GWFI	960 °C acc. to IEC 60695-2-12
Glow-Wire Flammability GWIT	775 °C acc. to IEC 60695-2-13

### Climatic Data

upper limit temperature	105 °C
lower limit temperature	-40 °C

### general

Tolerance	ISO 2768 -mH
Solderability	reflowable

# U | Contact

Data sheet  
**PR066xxVBBN Type 179**

Page 3/6

P/N  
**311791xx**

**xx=number of poles**

2023/06/26

Version: AA

## Accessories

P/N	Designation
700024-01-9	Coding star white



# U | Contact

Data sheet  
**PR066xxVBBN Type 179**

Page 4/6

P/N  
**311791xx**

**xx=number of poles**

2023/06/26

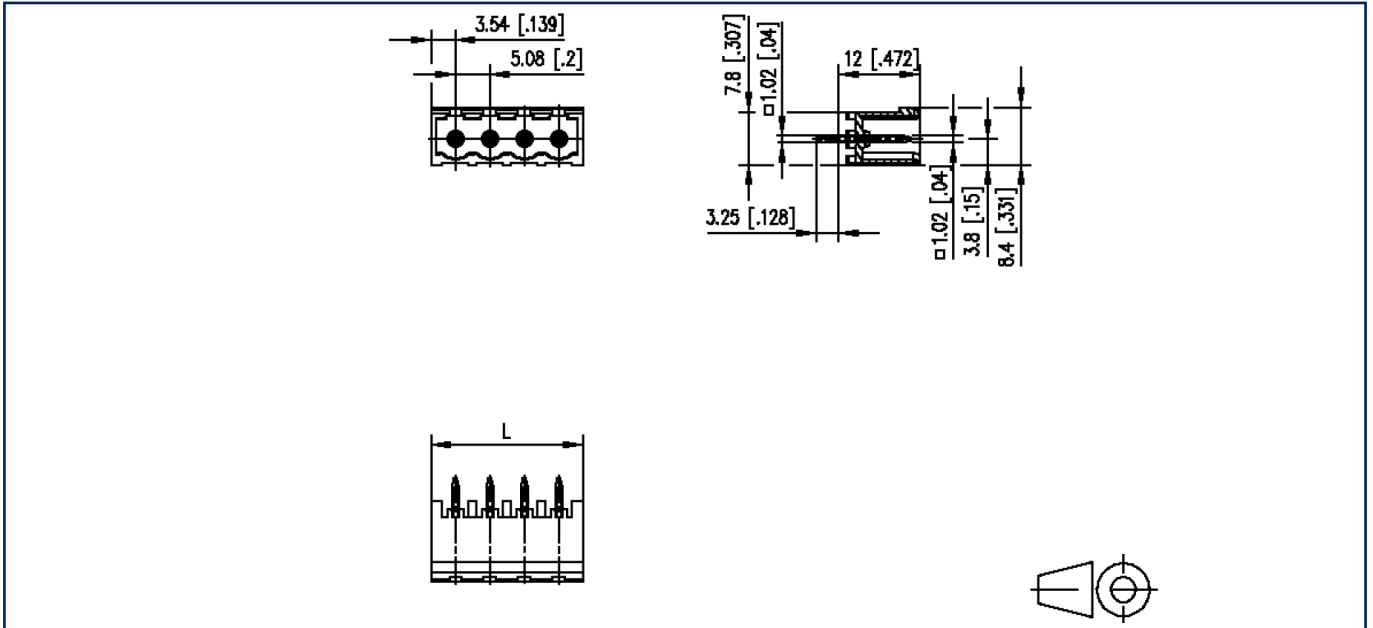
Version: AA

## Counterpart of

P/N	Designation
312131	RP036xxHBLC Type 213
312141	RP036xxHBLD Type 214
312491	RP016xxVBLC Type 249
312501	RP016xxSBLC Typ 250
ASP046	SP046xxVBNC ASP046
SP06602VBNC	
SP066XXVBNC	SP066xxVBNC

## Illustrations

Dimensional drawing



$L = (\text{pole size} - 1) \times \text{centerline} + 7.08 \text{ mm} [0.279]$

**Illustrations**

Drill pattern

